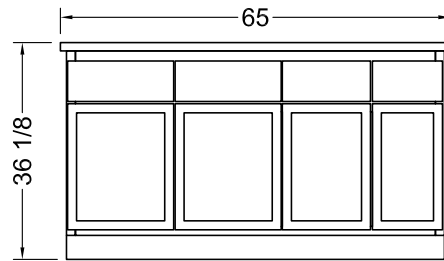
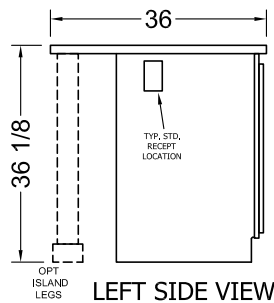


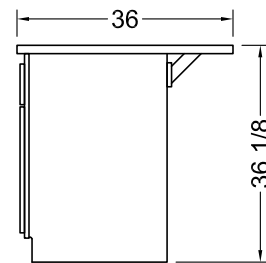
FRONT VIEW



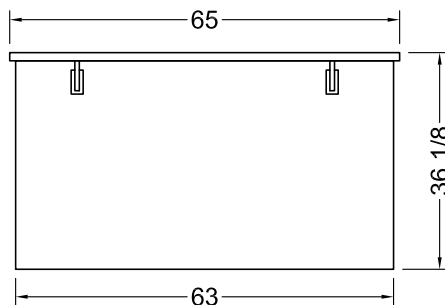
FRONT VIEW
(W/ DRAWERS OVER DOORS)



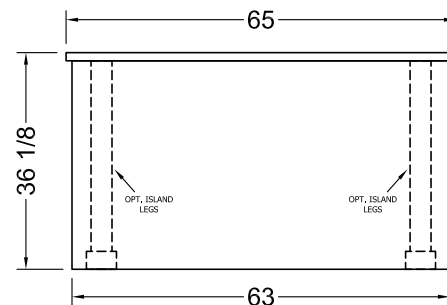
LEFT SIDE VIEW



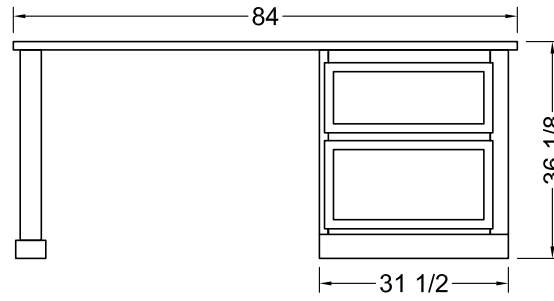
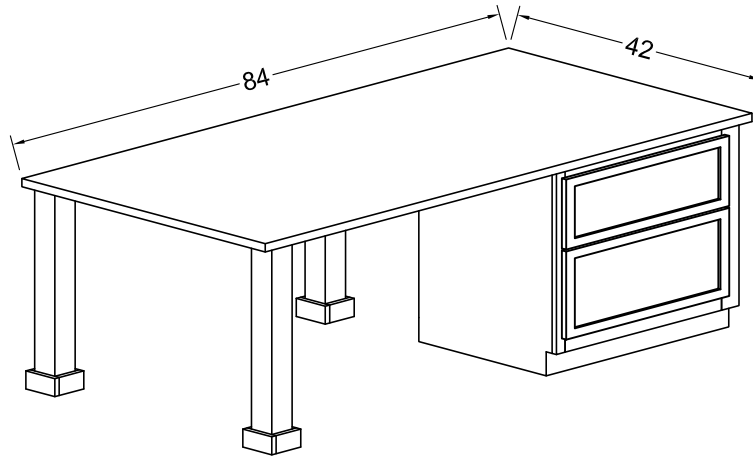
RIGHT SIDE VIEW
(W/ DRAWERS OVER DOORS)



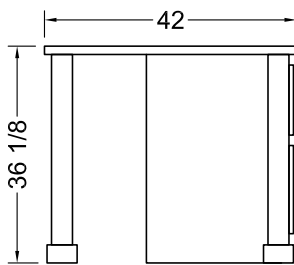
BACK VIEW



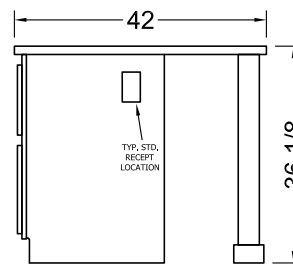
BACK VIEW
(W/ OPT. LEGS)



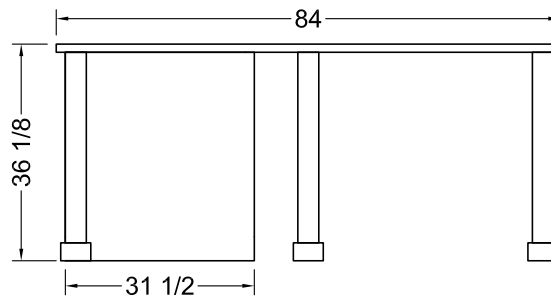
FRONT VIEW



LEFT SIDE VIEW



RIGHT SIDE VIEW



BACK VIEW

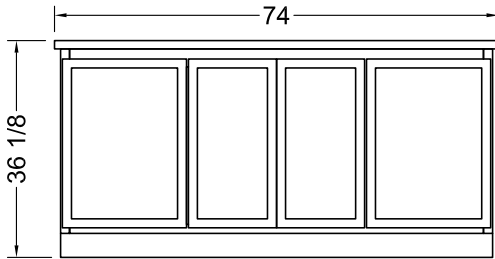
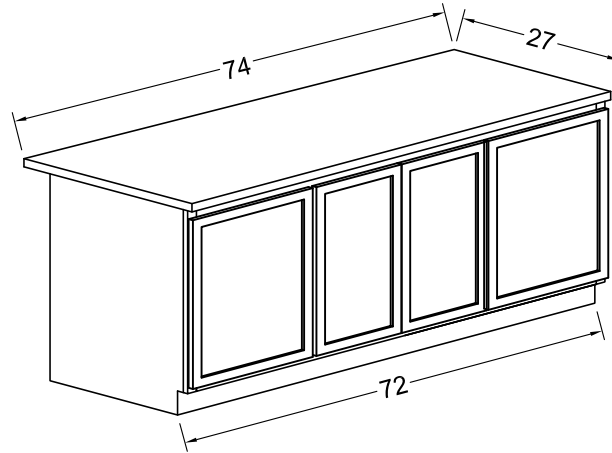
DATE: 2/12/26

FILE: 2026 OPTIONAL CABINETS

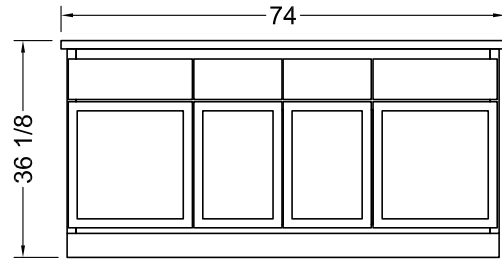
071 ISLAND

DRAWN BY: T. COWLEY

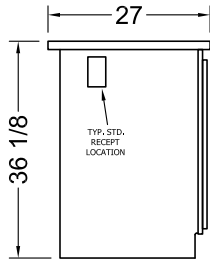
REVISED:



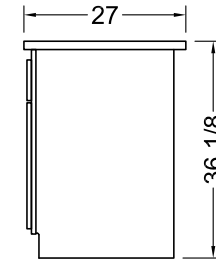
FRONT VIEW



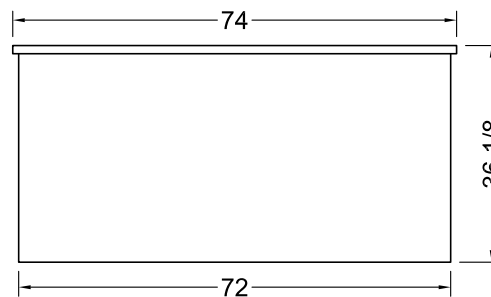
FRONT VIEW
(W/ DRAWERS OVER DOORS)



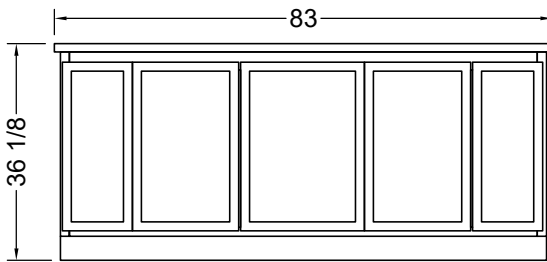
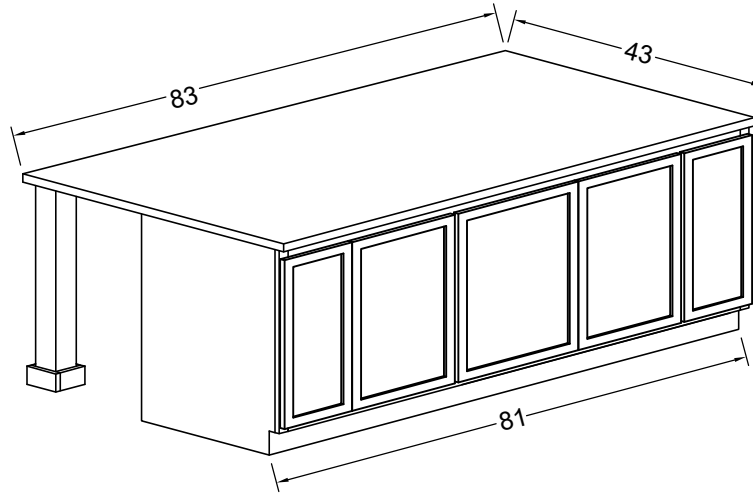
LEFT SIDE VIEW



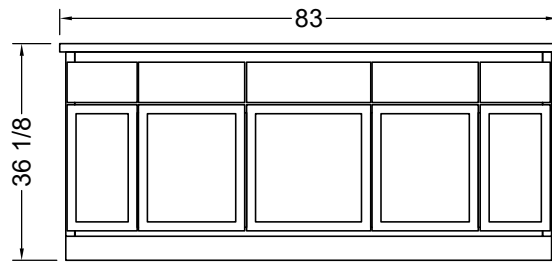
RIGHT SIDE VIEW
(W/ DRAWERS OVER DOORS)



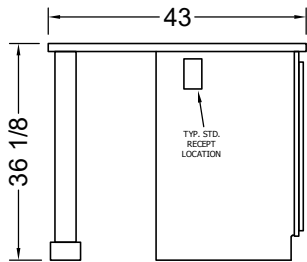
BACK VIEW



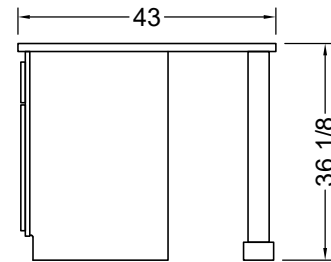
FRONT VIEW



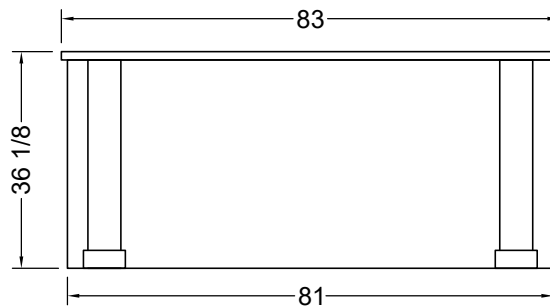
FRONT VIEW



LEFT SIDE VIEW



RIGHT SIDE VIEW
(W/ DRAWERS OVER DOORS)



BACK VIEW

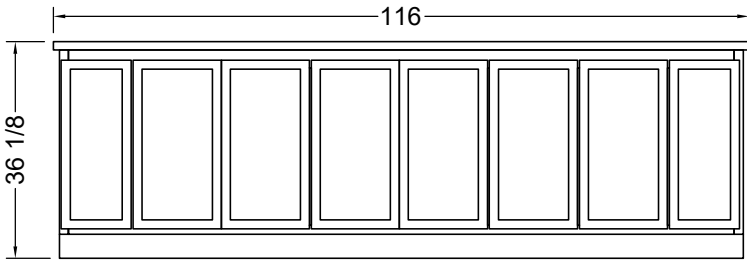
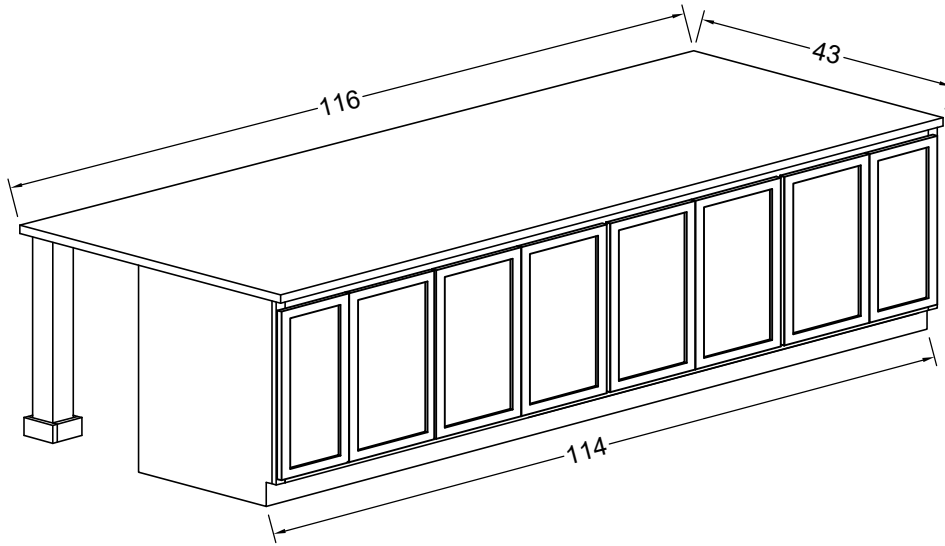
DATE: 2/12/26

FILE: 2026 OPTIONAL CABINETS

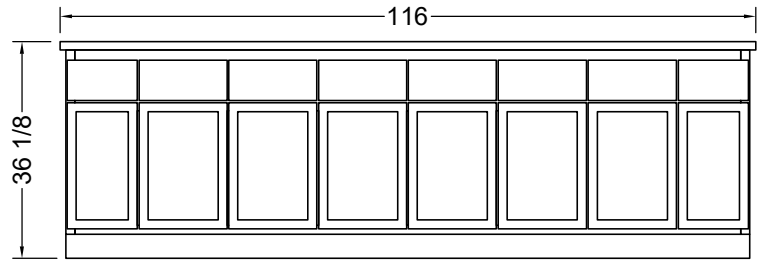
081 ISLAND

DRAWN BY: T. COWLEY

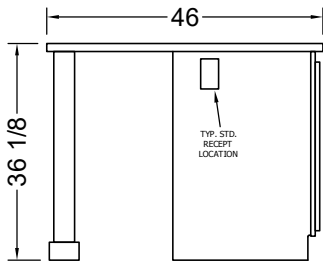
REVISED:



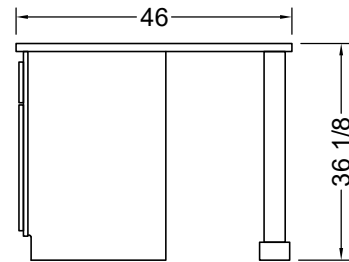
FRONT VIEW



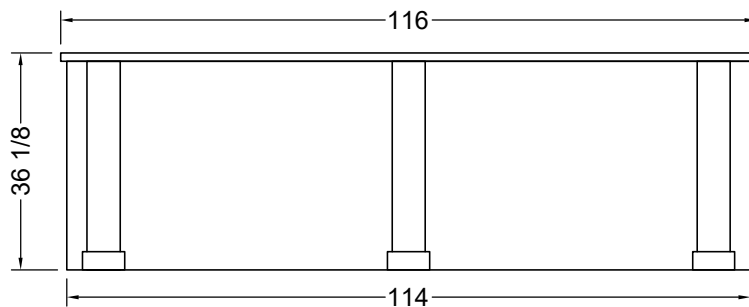
FRONT VIEW



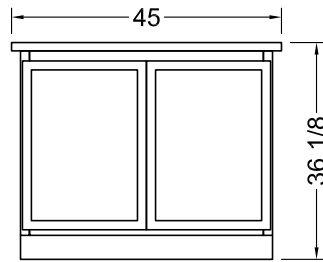
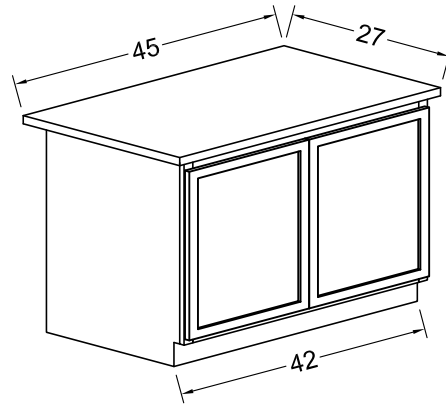
LEFT SIDE VIEW



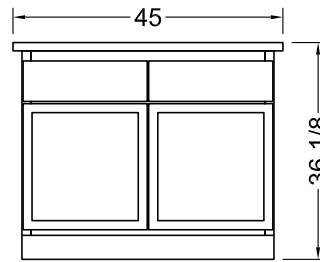
RIGHT SIDE VIEW
(W/ DRAWERS OVER DOORS)



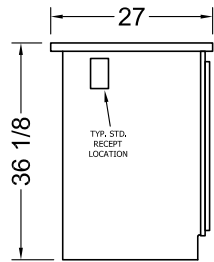
BACK VIEW



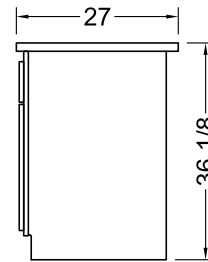
FRONT VIEW



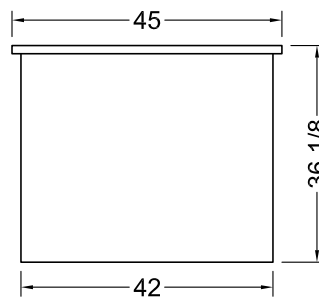
FRONT VIEW
(W/ DRAWERS OVER DOORS)



LEFT SIDE VIEW



RIGHT SIDE VIEW
(W/ DRAWERS OVER DOORS)



BACK VIEW