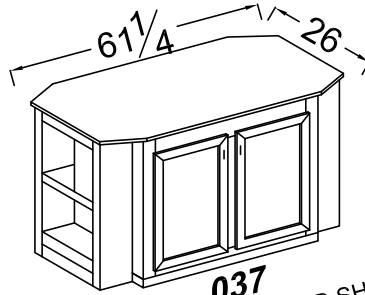
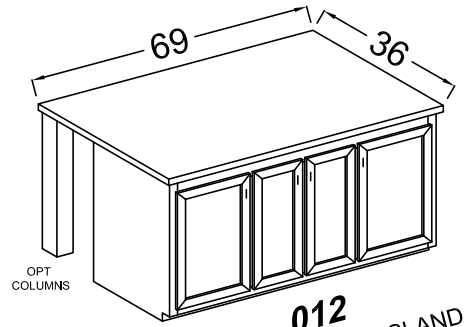


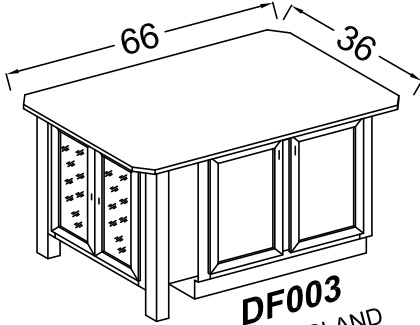
013
45x26 ISLAND



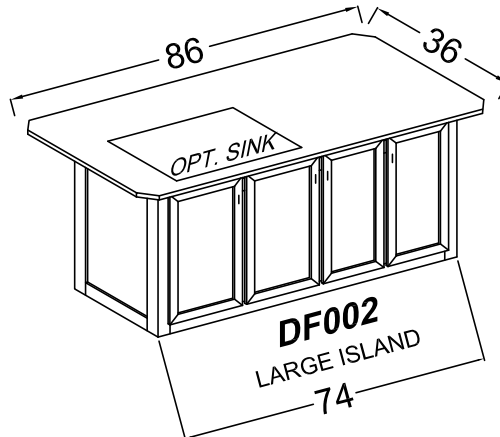
037
KITCHEN ISLAND W/ END SHELVES



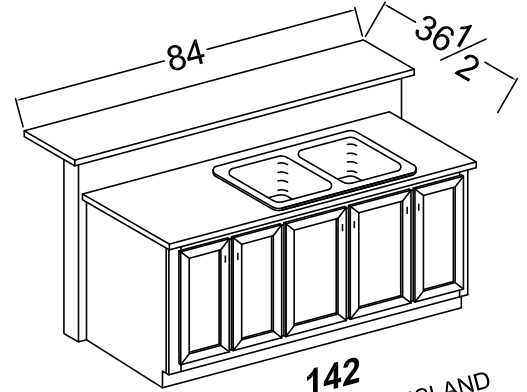
012
LARGE KITCHEN ISLAND



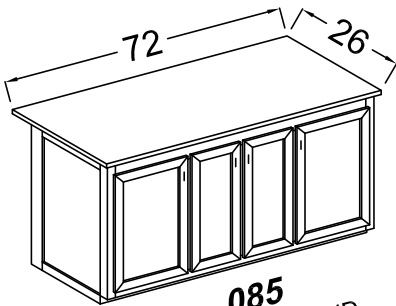
DF003
SMALL ISLAND



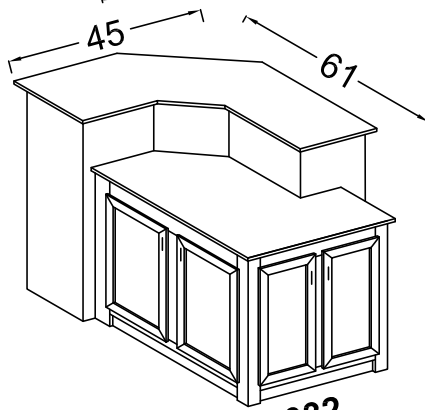
DF002
LARGE ISLAND



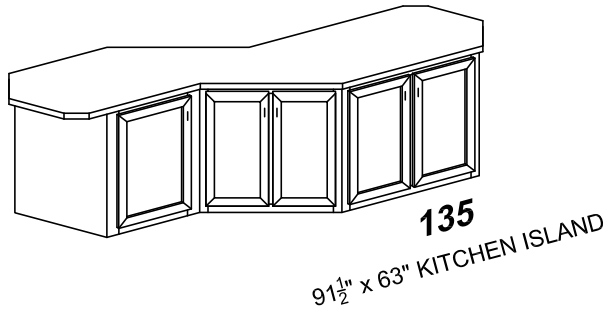
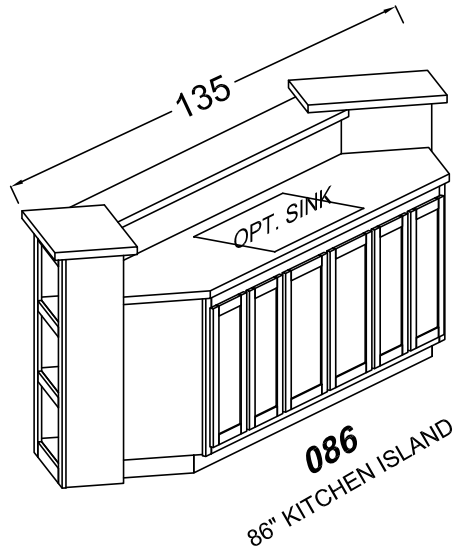
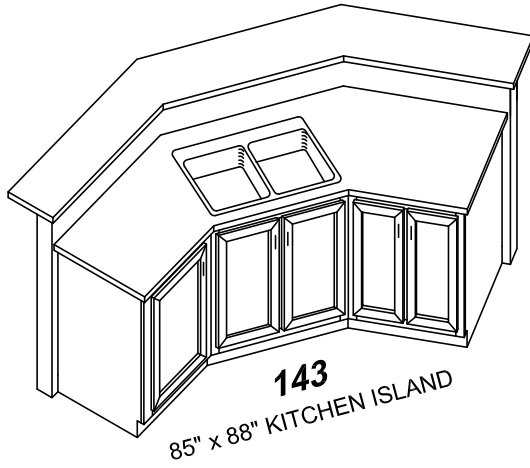
142
84" x 36 1/2" KITCHEN ISLAND



085
KITCHEN ISLAND



032
KITCHEN ISLAND WITH BAR



THESE ISLANDS ARE ONLY AVAILABLE WHERE THEY ARE STANDARD.
THESE ISLAND ARE NOT AVAILABLE FOR OPTION.

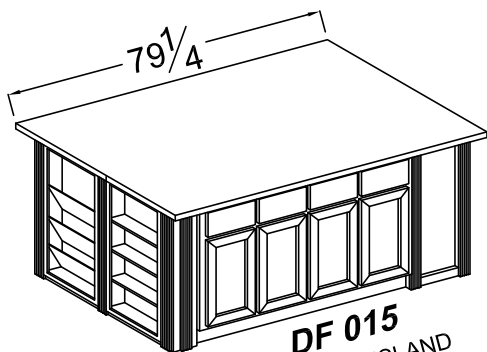
REV. 9-29-21



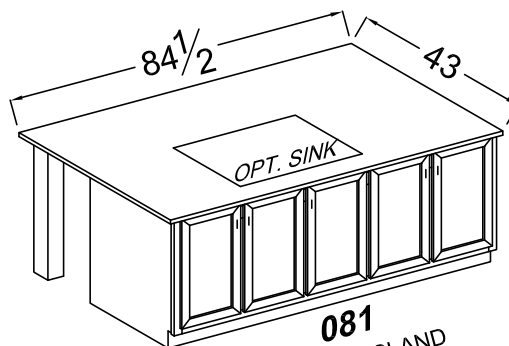
DRAWERS & DOORS TO BE BUILT AS SHOWN REGARDLESS OF SPEC FOR THESE OPTIONAL CABINETS.

ALL OPTIONS MUST BE CHECKED BY ENGINEERING FOR FIT BEFORE ORDERING.

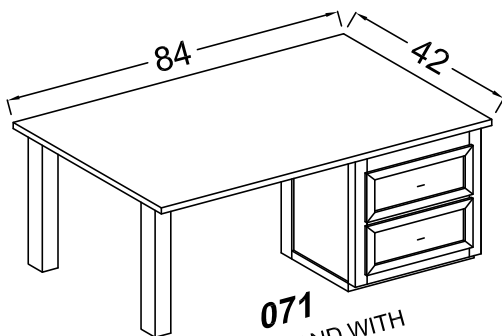
INFORMATION CONTAINED HEREIN IS CONFIDENTIAL AND PROPRIETARY AND MAY NOT BE COPIED EXCEPT FOR AUTHORIZED PURPOSES



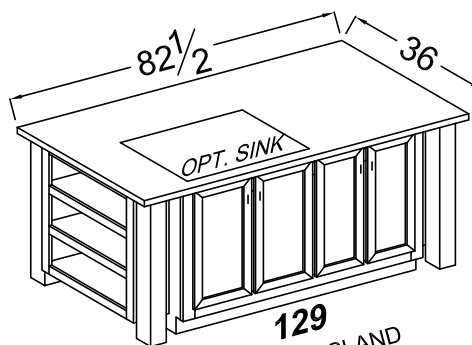
DF 015
ULTIMATE ISLAND
(DRAWERS OVER DOORS STD)



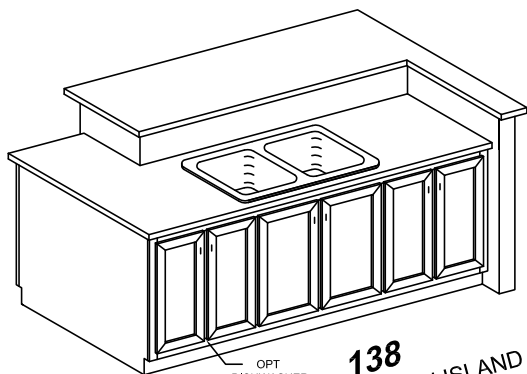
081
KITCHEN ISLAND



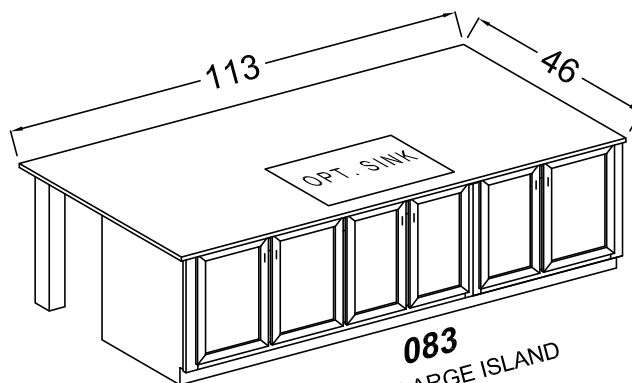
071
TABLE ISLAND WITH
POT & PAN DRAWERS



129
KITCHEN ISLAND

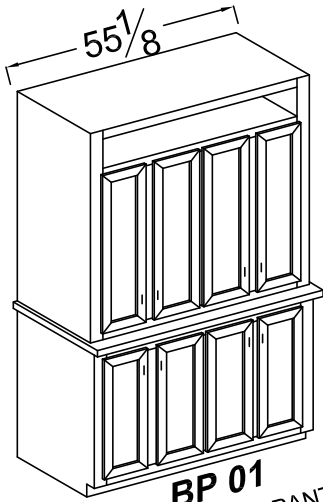


138
93" x 48" KITCHEN ISLAND

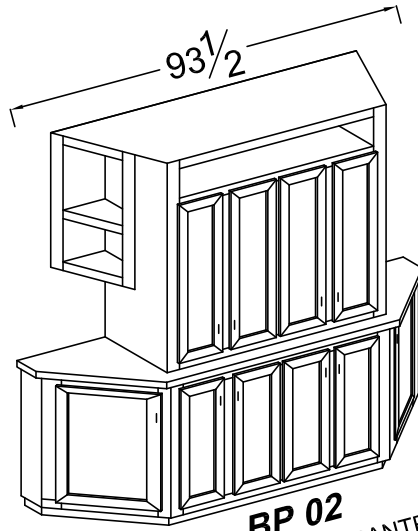


083
EXTRA LARGE ISLAND

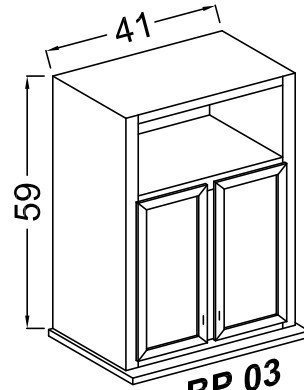
REV. 1-22-20



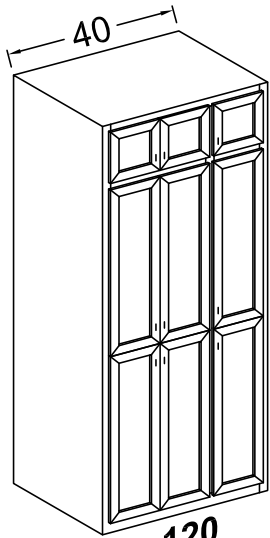
BP 01
LARGE BUTLERS PANTRY



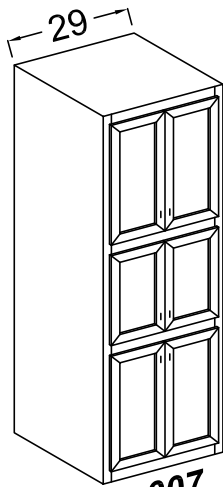
BP 02
ANGLE BUTLERS PANTRY



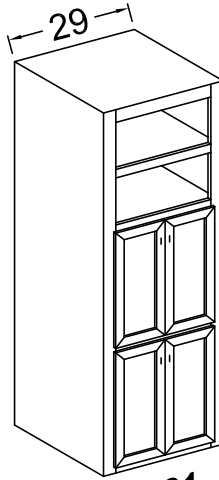
BP 03
SMALL BUTLERS PANTRY
SITS ON COUNTERTOP
OVER 2-18" DOORS



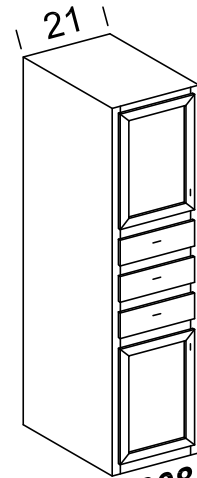
120
40" PANTRY W/
BROOM CLOSET



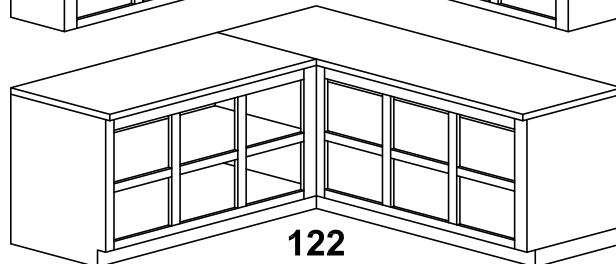
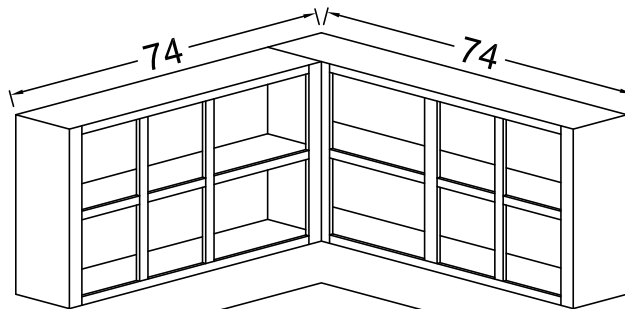
007
29" PANTRY (W/ LAZY
SUSAN & SLIDER
DRAWER)



121
29" PANTRY



008
21" PANTRY

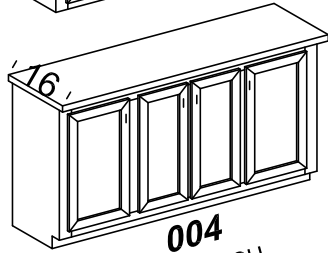
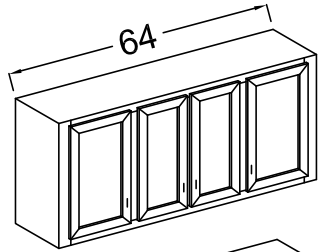


122
CORNER PANTRY

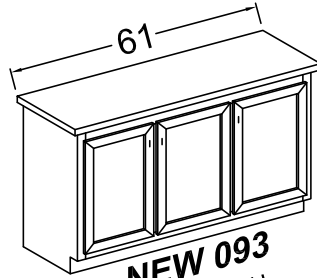
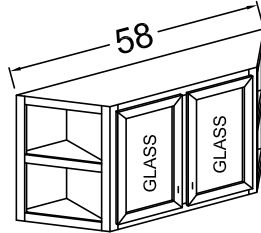
REV. 01-08-16

DRAWERS & DOORS TO BE BUILT AS SHOWN REGARDLESS OF SPEC FOR THESE OPTIONAL CABINETS.
ALL OPTIONS MUST BE CHECKED BY ENGINEERING FOR FIT BEFORE ORDERING.

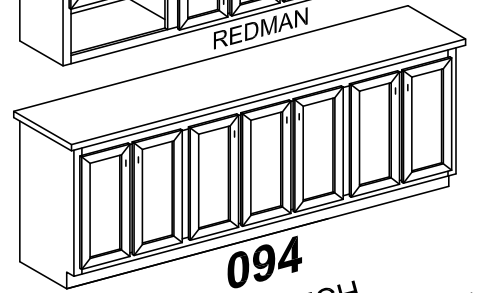
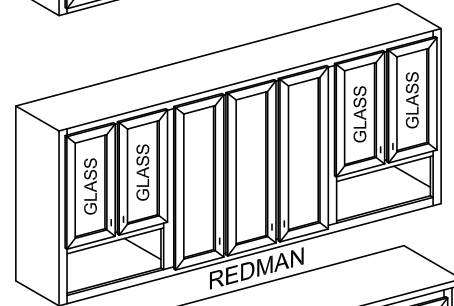
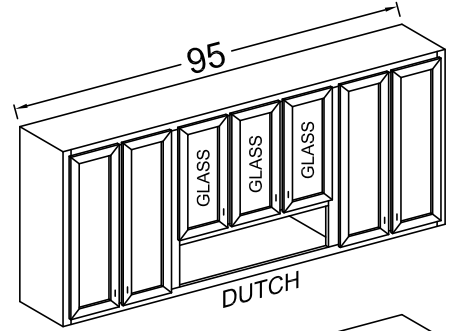
INFORMATION CONTAINED HEREIN IS CONFIDENTIAL AND PROPRIETARY AND MAY NOT BE COPIED EXCEPT FOR AUTHORIZED PURPOSES



004
64" HUTCH



NEW 093
59" HUTCH



094
95" HUTCH
(STD W/ 42" OVERHEADS)

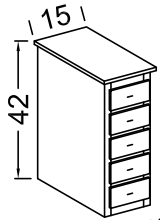
REV. 9-29-21



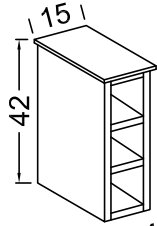
DRAWERS & DOORS TO BE BUILT AS SHOWN REGARDLESS OF SPEC FOR THESE OPTIONAL CABINETS.

ALL OPTIONS MUST BE CHECKED BY ENGINEERING FOR FIT BEFORE ORDERING.

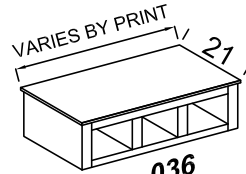
INFORMATION CONTAINED HEREIN IS CONFIDENTIAL AND PROPRIETARY AND MAY NOT BE COPIED EXCEPT FOR AUTHORIZED PURPOSES



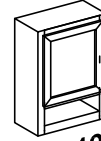
DF012
DUTCH
HALF-STACK
LINEN



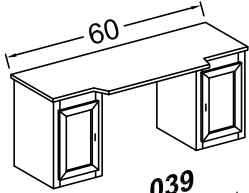
074
REDMAN HALF
STACK LINEN



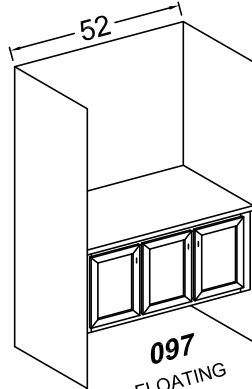
036
BENCH /
WINDOW SEAT



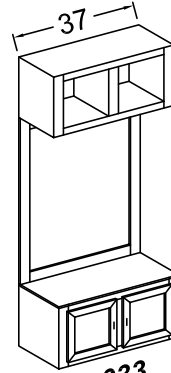
019
LINEN OVER
COMMODO



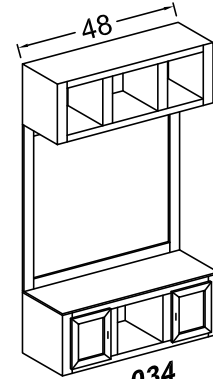
039
60" VANITY w/
MIRROR & LIGHT



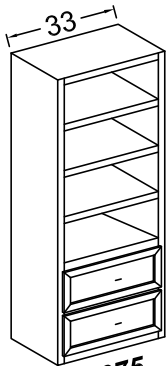
097
FLOATING
VANITY
w/ MIRROR



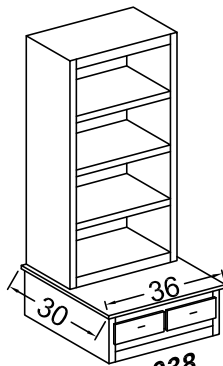
033
SMALL HALL TREE
WITH BENCH



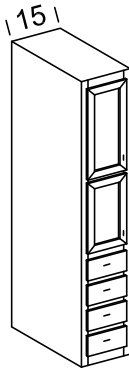
034
LARGE HALL TREE
WITH BENCH



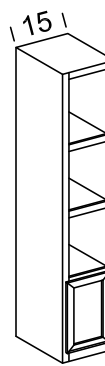
075
CLOSET
ORGANIZER



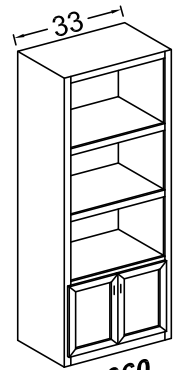
038
CLOSET
BENCH



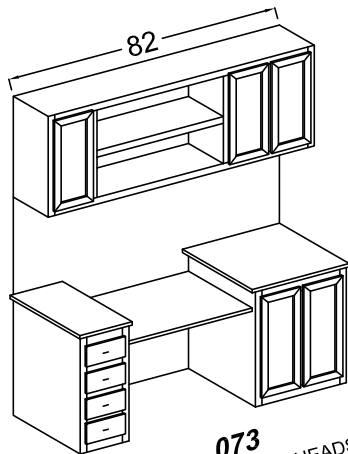
006
15" LINEN



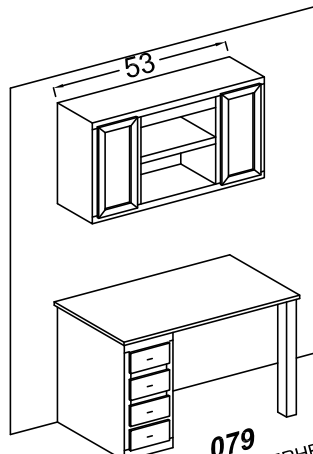
058
15" BOOK
CASE



060
33" BOOK
CASE



073
82" DESK w/ OVERHEADS

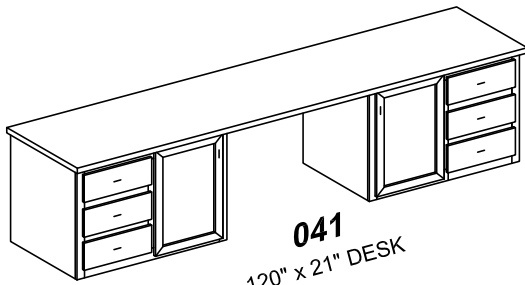


079
53" DESK w/ OVERHEAD

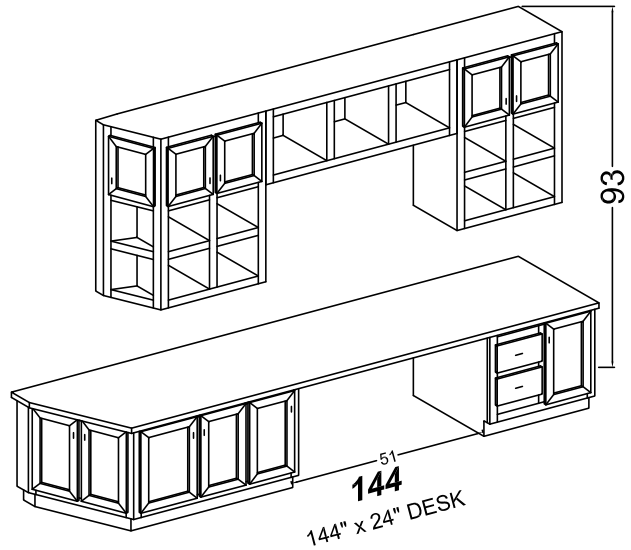
DRAWERS & DOORS TO BE BUILT AS SHOWN REGARDLESS OF SPEC FOR THESE OPTIONAL CABINETS.

ALL OPTIONS MUST BE CHECKED BY ENGINEERING FOR FIT BEFORE ORDERING.

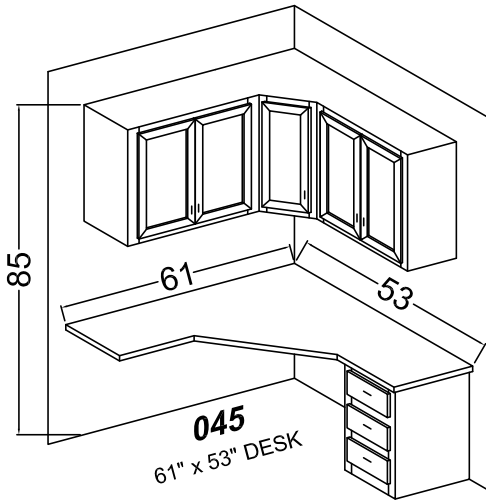
INFORMATION CONTAINED HEREIN IS CONFIDENTIAL AND PROPRIETARY AND MAY NOT BE COPIED EXCEPT FOR AUTHORIZED PURPOSES



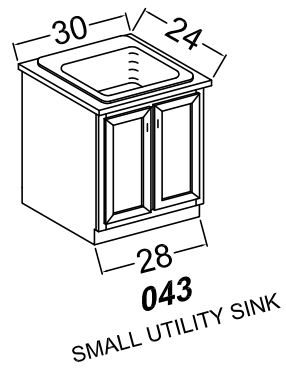
041
120" x 21" DESK



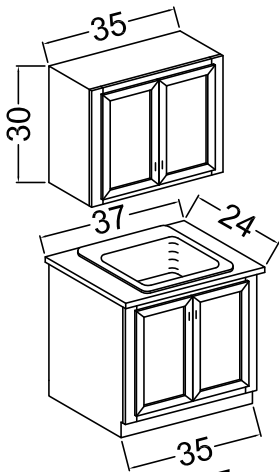
144
144" x 24" DESK



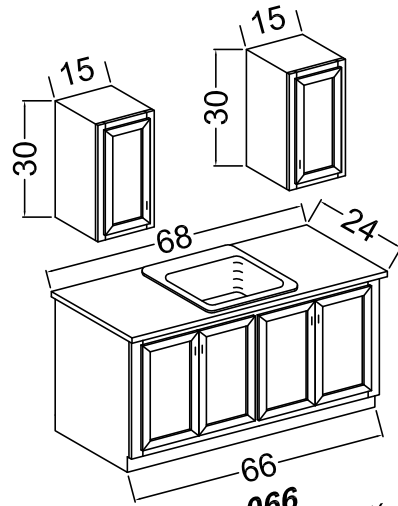
045
61" x 53" DESK



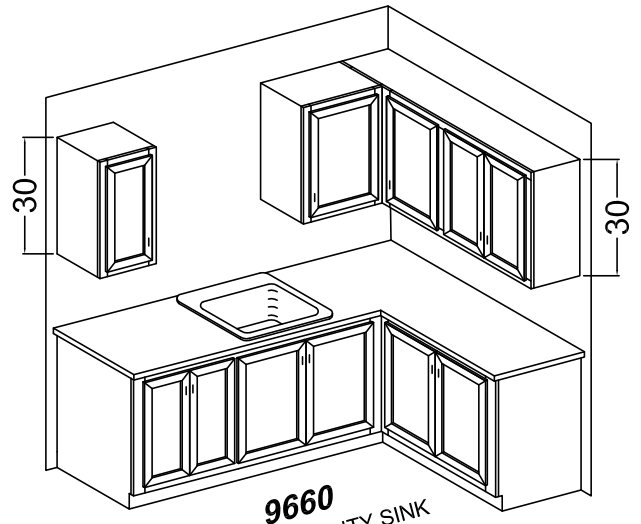
043
SMALL UTILITY SINK



047
MEDIUM UTILITY SINK



066
LARGE UTILITY SINK

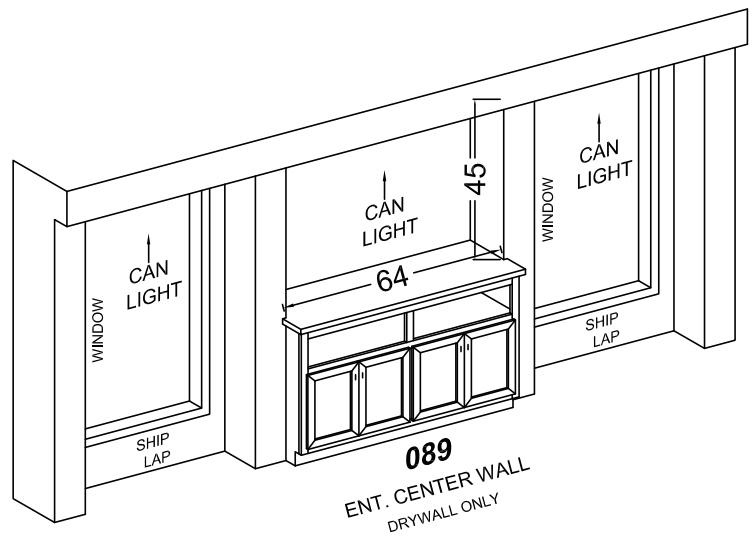
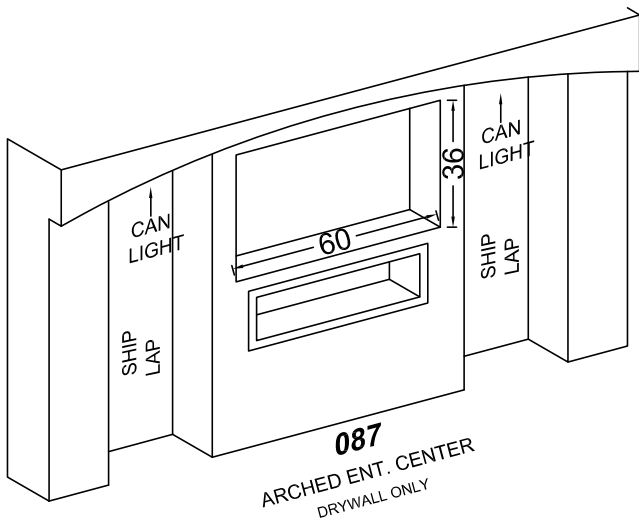
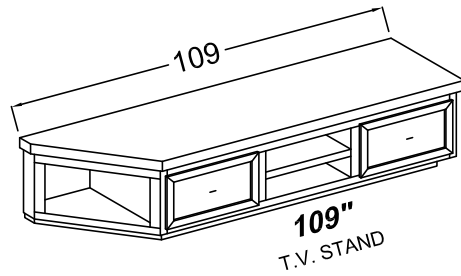
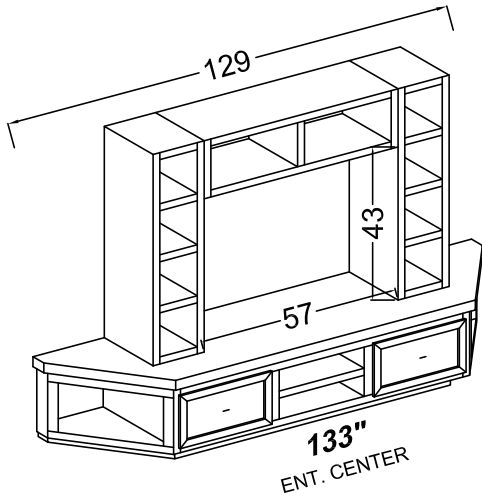
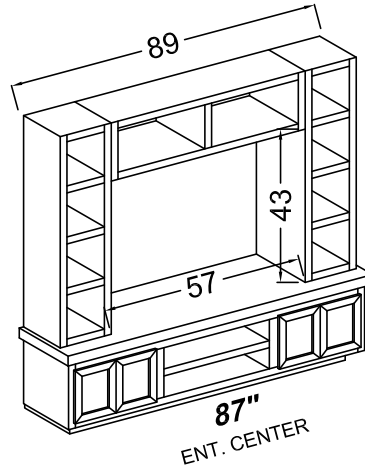
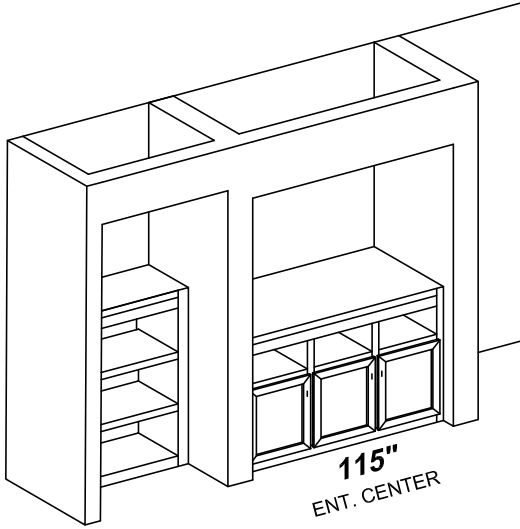


9660
"L" SHAPE UTILITY SINK
(SIZE VARIES)

REV. 9-29-21



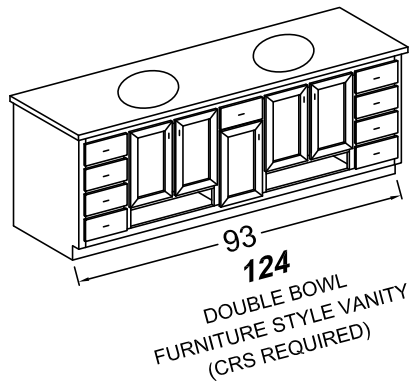
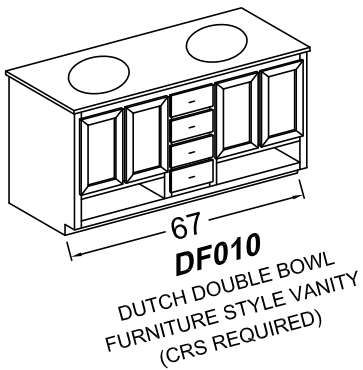
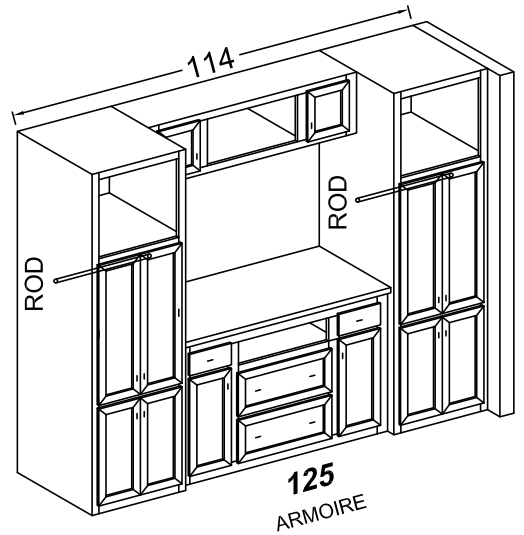
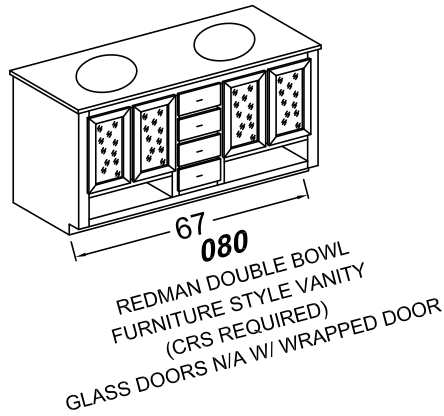
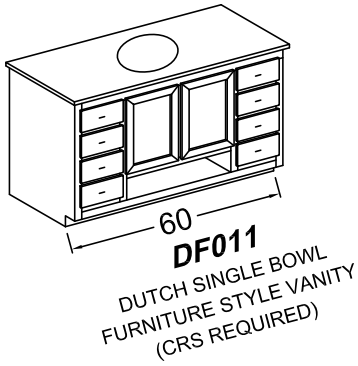
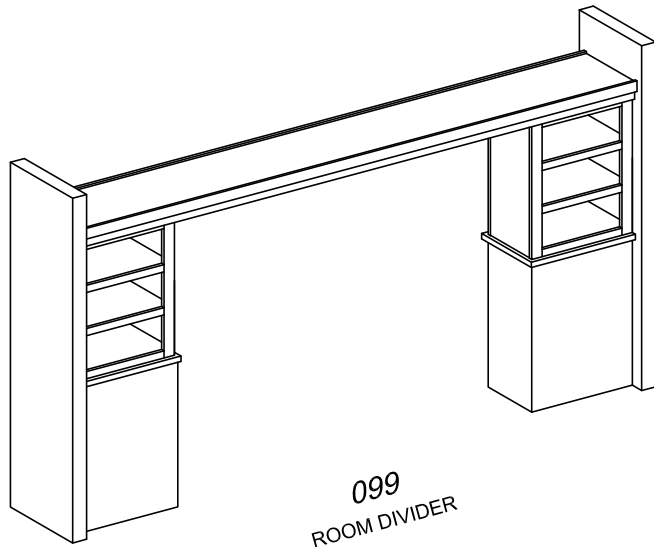
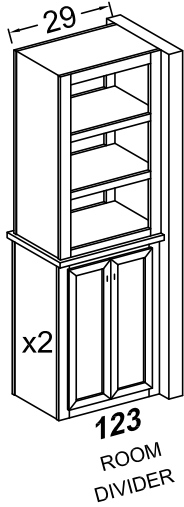
DRAWERS & DOORS TO BE BUILT AS SHOWN REGARDLESS OF SPEC FOR THESE OPTIONAL CABINETS.
ALL OPTIONS MUST BE CHECKED BY ENGINEERING FOR FIT BEFORE ORDERING.
INFORMATION CONTAINED HEREIN IS CONFIDENTIAL AND PROPRIETARY AND MAY NOT BE COPIED EXCEPT FOR AUTHORIZED PURPOSES



REV. 09-10-2018



DRAWERS & DOORS TO BE BUILT AS SHOWN REGARDLESS OF SPEC FOR THESE OPTIONAL CABINETS.
ALL OPTIONS MUST BE CHECKED BY ENGINEERING FOR FIT BEFORE ORDERING.
INFORMATION CONTAINED HEREIN IS CONFIDENTIAL AND PROPRIETARY AND MAY NOT BE COPIED EXCEPT FOR AUTHORIZED PURPOSES



REV. 9-29-21

DRAWERS & DOORS TO BE BUILT AS SHOWN REGARDLESS OF SPEC FOR THESE OPTIONAL CABINETS.

ALL OPTIONS MUST BE CHECKED BY ENGINEERING FOR FIT BEFORE ORDERING.

INFORMATION CONTAINED HEREIN IS CONFIDENTIAL AND PROPRIETARY AND MAY NOT BE COPIED EXCEPT FOR AUTHORIZED PURPOSES