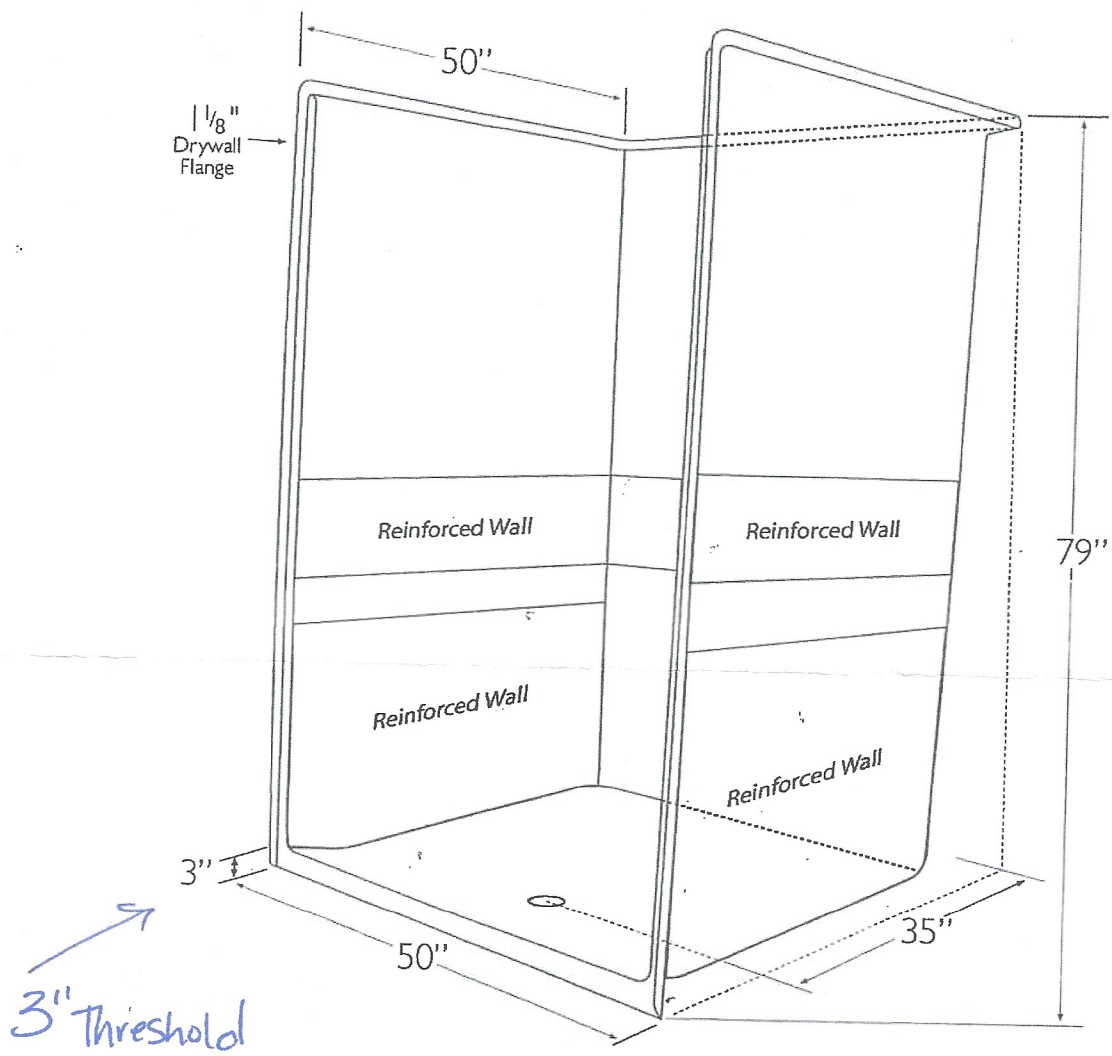


50" Transfer Shower

# Frontline Mfg., Inc.



### Information

**Door Size:**  
46-3/4" w x 74-1/4" h

**Drain:**  
25" C/L from right and left side wall  
35" from back wall to C/L of drain  
3-1/2" I.D. drain hole

**Tolerances:**  
+0, -1/4"

Certified to conform to HUD/UM73b, ANSI Z124.1, and ASTM E-162 Flame Spread Rating 200 or less and is under a program of factory inspection.

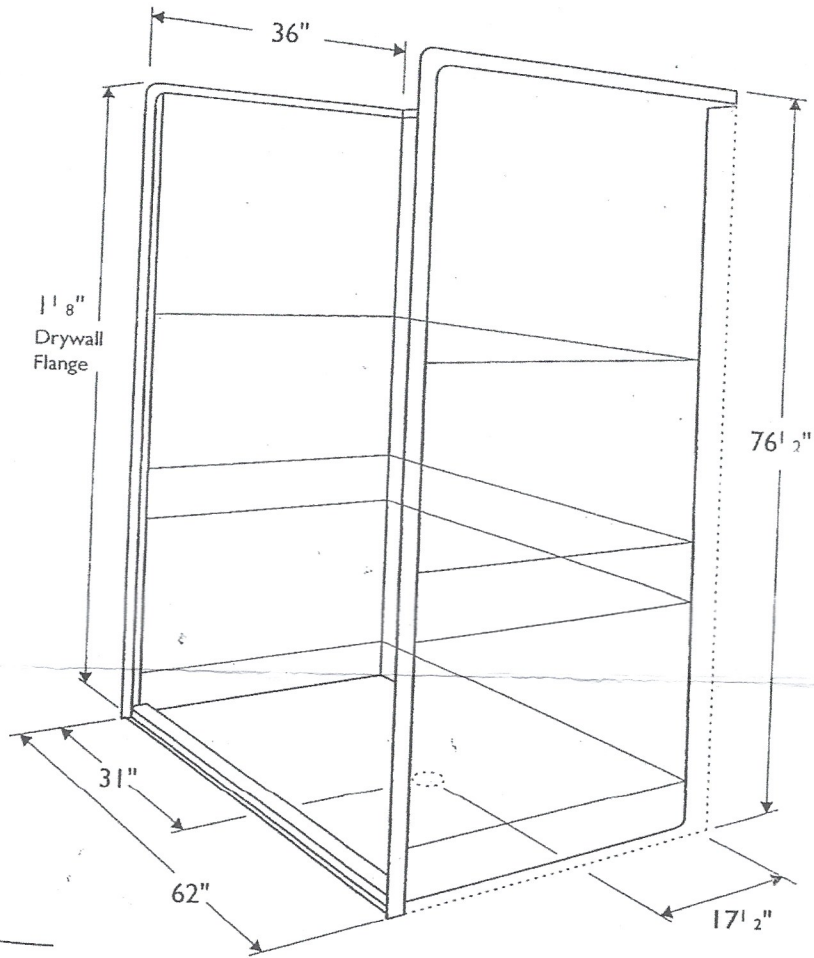
## Handicapped — Shower Only — One Piece Model HC 402

Manufactured by Front Line Mfg., Inc. Leesburg, IN

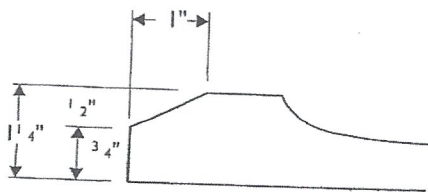


# Frontline Mfg., Inc.

62" Roll In  
Shower



## Threshold Detail



## Information

### Door Size:

60" x 73<sup>3</sup>/<sub>4</sub>"

### Interior Size:

60" x 34"

### Drain:

31" C/L from right and left side wall

17<sup>1</sup>/<sub>2</sub>" from back wall to C/L of drain

3<sup>1</sup>/<sub>2</sub>" I.D. drain hole

### Tolerances:

- 1<sup>2</sup>/<sub>2</sub>"

## Shower — Handicapped — One Piece Model SH 6236

Certified to conform to HUD/UM73b, ANSI Z124.1, and ASTM E-162 Flame Spread Rating 200 or less and is under a program of factory inspection.

Manufactured by  
Front Line Mfg., Inc.  
Leesburg, IN

